



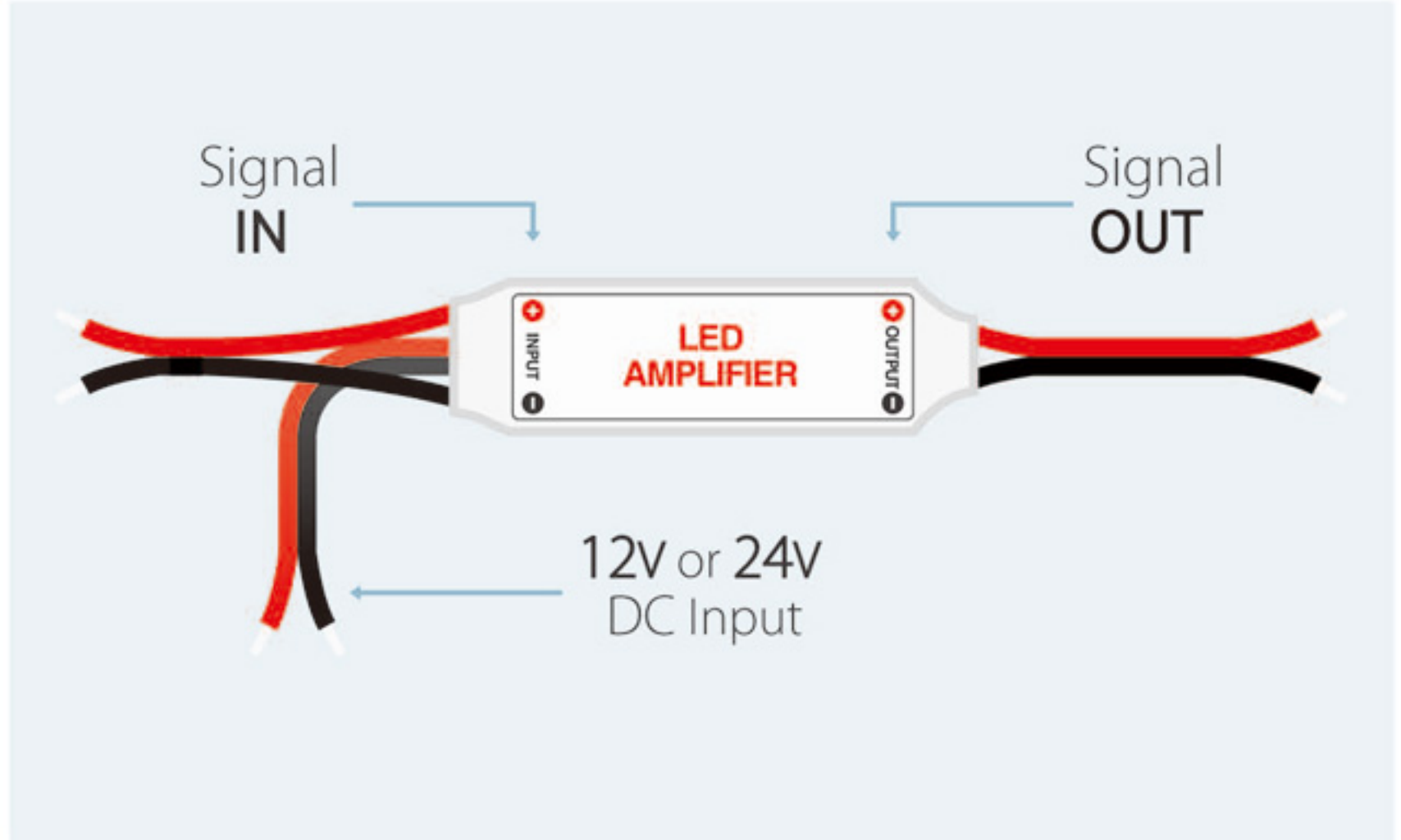
SC LED Mini Signal Amplifier

SC-MINI-4A3CH-AMP

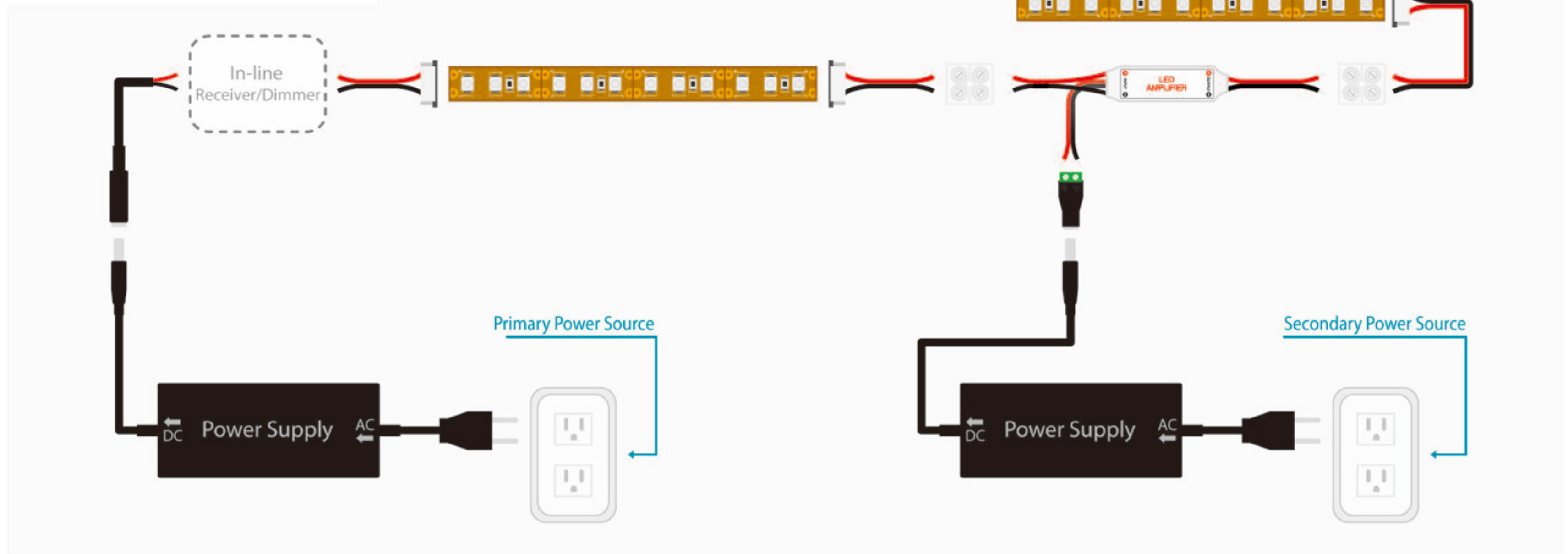
Longer runs of LED lights require extra amplification for two reasons:

1. To supply the necessary power for the extra strip lights.
2. To carry a dimming signal across the entire length of your LED light installation.

This LED amplifier ensures that the dimming signal (PWM) will extend from the initial lighting section all the way along your installation, without losing voltage. Simply follow the markings on the amplifier for proper connection of wires and power.



SOLDERLESS OPTION



SOLDERING OPTION

