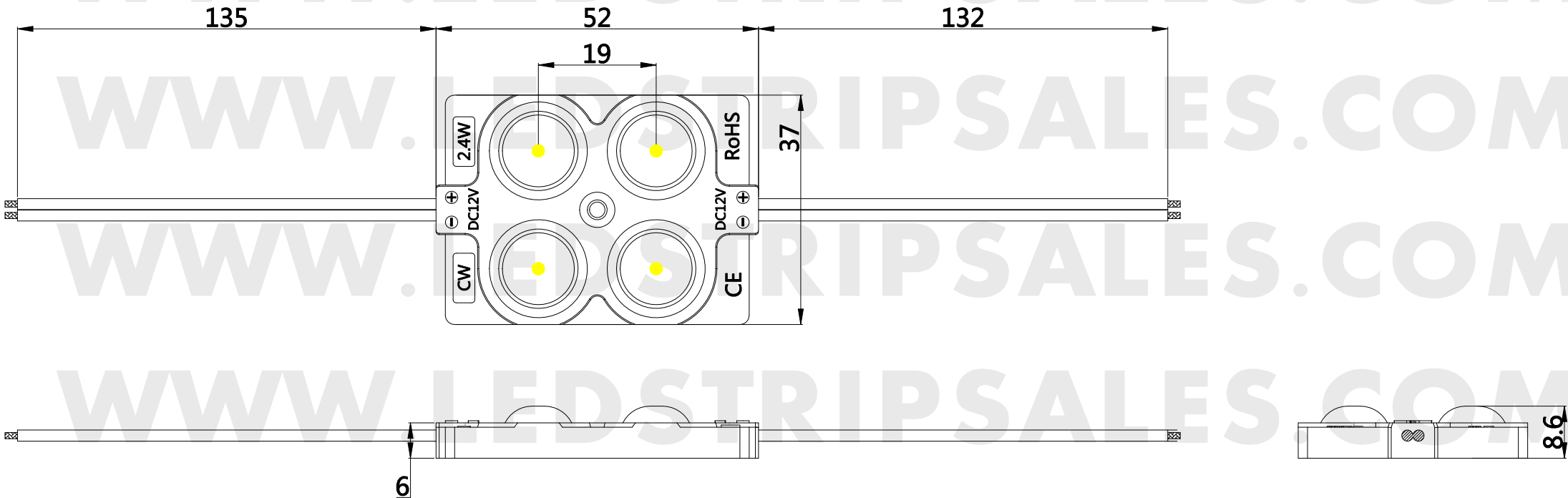




Single Color 2.4W 12V LED Module Circuit Diagram

Unit:mm

Part No: LM-2835-4X-2.4W



Sales@ledstripsales.com

LEDStripSales.com