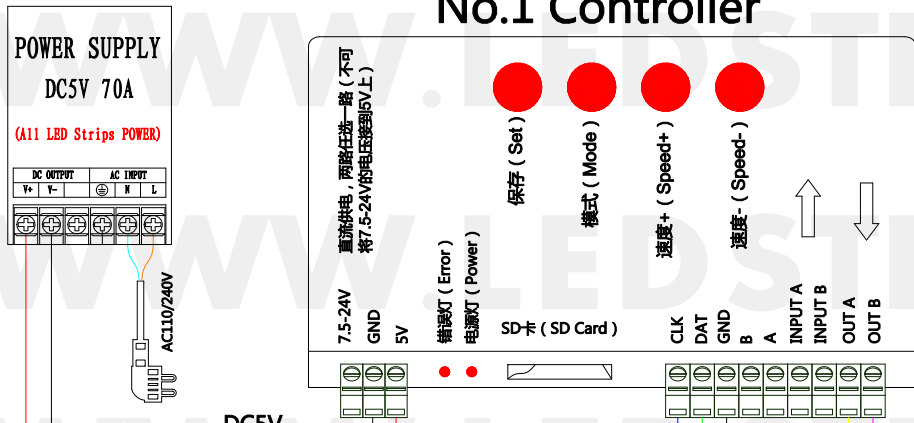


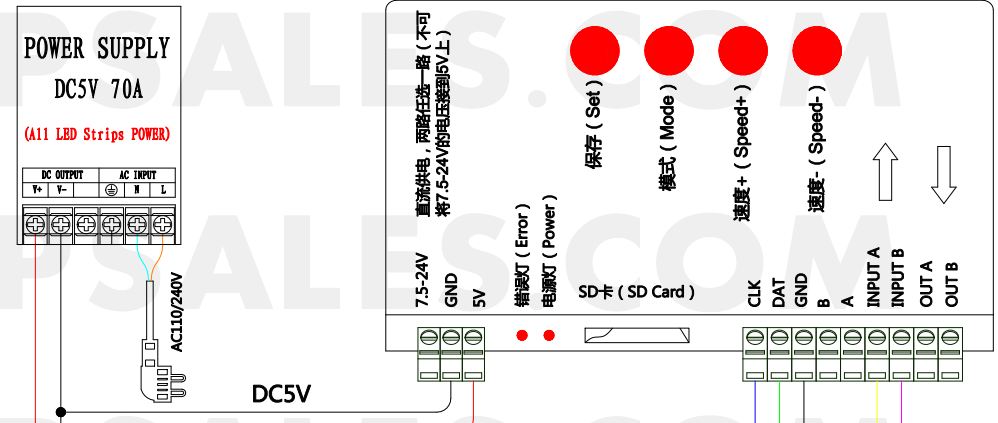


# LED Pixel Strips Mode of Connection

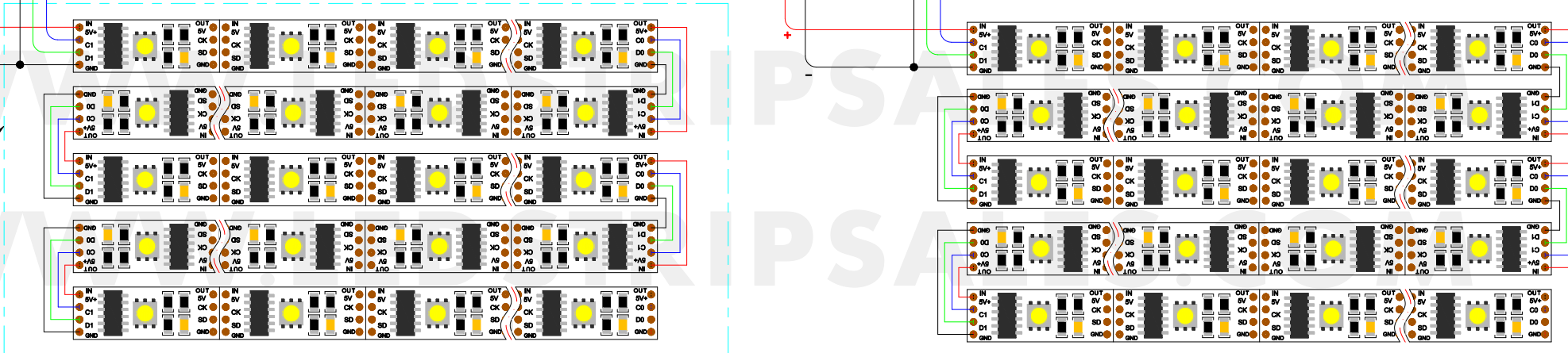
## No.1 Controller



## No.2 Controller



Less than 2048 Pixels  
1 LEDs=1 Pixels



When the controller control less than 512 pixels the frame rate can reach 30fps,  
 When control more than 512 pixels the frame rate will slow down automatically.  
 This T-1000S controller largest support 2048 pixels, each LEDs WS2811 IC is a pixel,  
 So if you want to connect a longer LED Module lights, please choose more controller.